

HARVEST™ INTERNATIONAL INC

A FRIESEN COMPANY

INTRODUCING THE ULTRALIFT: THE FUTURE OF STACK FOLD PLANTING
INNOVATIVE DESIGN FEATURES UNDER-BAR ULTRALIFT™ CYLINDER, CAPABLE OF INDUSTRY LEADING 18° UPWARD FLEX,
BULK FILL OR SEED BOX ON NARROW, WIDE, & TWIN ROW SPACINGS, READY FOR PRECISION & HIGH SPEED PLANTING.



ULTRALIFT™ STACK FOLD BAR

FEATURING THE LASERPRO1 ROW UNIT
PATENT PENDING

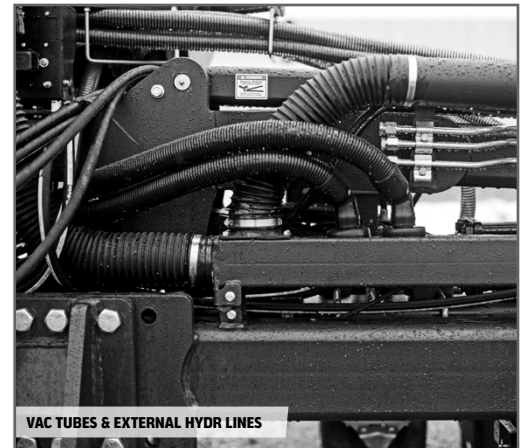
Model Pictured: SB4036BR
W/ LASERPRO1 ROW UNITS



CONFIGURABLE ROW SPACING



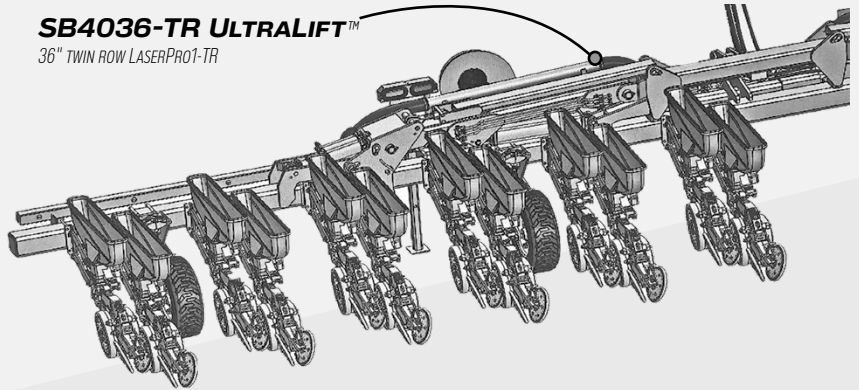
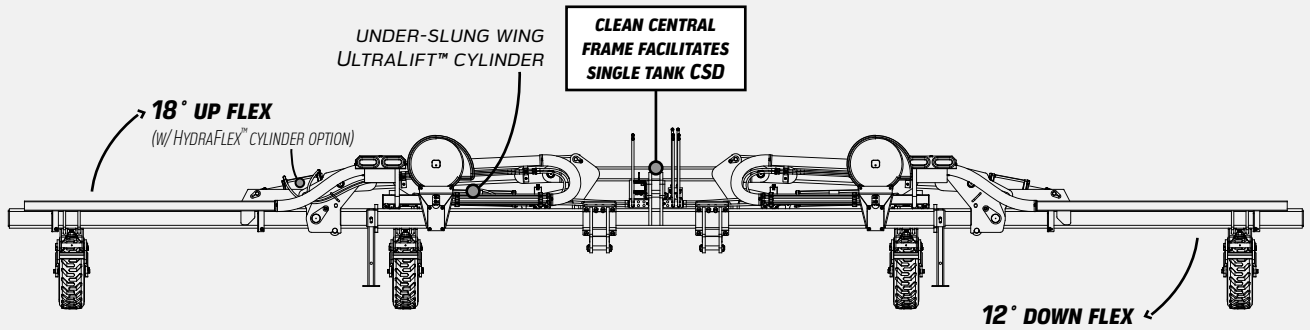
CENTER MOUNTED BULK FILL SYSTEM



VAC TUBES & EXTERNAL HYDR LINES

STACKFOLD MODEL	# of Rows	ROW SPACING	FOLD // FLEX	OPEN WIDTH // FOLDED WIDTH	OPEN HEIGHT w/ CSD // TRANSPORT HEIGHT	TIRE POSITION	BASE WEIGHT²	Seed Storage
SB2030	8	30"	2-4-2	19' 1" // 11' 4"	9' 7"	BR	3,950	boxes
SB2036	6	36"	1-4-1	19' 1" // 11' 4"	9' 7"	BR	4,050	boxes
SB2038	6	38"	1-4-1	19' 1" // 11' 4"	9' 7"	BR	4,050	boxes
SB3015	23	15"	4-15-4	29' 5" // 19' 7"	9' 9" // 10' 9"	FR	7,650	CSD
SB3020	18	20"	3-12-3	29' 5" // 19' 7"	9' 9" // 10' 9"	FR	7,150	boxes / CSD
SB3030 ¹	12	30"	2-8-2	29' 5" // 19' 7"	9' 9" // 10' 9"	FR / BR	6,950	boxes / CSD
SB3036 ¹	10	36"	2-6-2	29' 5" // 19' 7"	9' 9" // 10' 9"	FR / BR	6,950	boxes / CSD
SB3038 ¹	10	38"	2-6-2	29' 5" // 19' 7"	9' 9" // 10' 9"	FR / BR	6,900	boxes / CSD
SB4015	31	15"	8-15-8	38' 10" // 22' 9"	9' 9" // 10' 9"	FR	8,300	CSD
SB4020	24	20"	6-12-6	39' 8" // 23' 7"	9' 9" // 10' 9"	FR	7,700	boxes / CSD
SB4030 ¹	16	30"	4-8-4	38' 10" // 22' 9"	9' 9" // 10' 9"	FR / BR	7,450	boxes / CSD
SB4036 ¹	12	36"	3-6-3	38' 10" // 22' 9"	9' 9" // 10' 9"	FR / BR	7,450	boxes / CSD
SB4038 ¹	12	38"	3-6-3	38' 10" // 22' 9"	9' 9" // 10' 9"	FR / BR	7,400	boxes / CSD

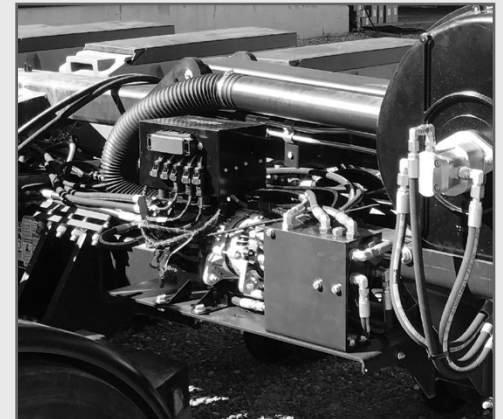
1. TwinRow model available. | 2. Weights include Standard frame, stepbacks, & base features only. Weights of Row units, CSD, lift assist wheels, & other options not included.



HYDRAFLEX™ CYLINDER OPTION ENABLES 18° UPWARD WING FLEX



OPTIONAL LIFT ASSIST WHEELS w/ DUAL 55BU CSD TANKS



STANDARD MOUNTS FOR PDM & ALTERNATOR (w/ PROTECTIVE SHIELD) & VAC FAN

H HARVEST
INTERNATIONAL INC

401 W 20TH STREET • STORM LAKE, IA 50588
TEL: 712.213.5100 • TOLL: 888.218.5373 • 712.213.5109
WWW.HARVEST-INTERNATIONAL.COM

**MADE
IN THE
USA**

