

# HARVEST™ INTERNATIONAL INC

A FRIESEN COMPANY

**INTRODUCING THE NEW VERTICAL FOLD PLANTER FROM H-I:**  
HEAVY-DUTY FRAME FEATURES FLEXIBLE OR RIGID WING DESIGN, CENTRAL SEED DELIVERY WITH MANY ROW CONFIGURATIONS ON NARROW - WIDE & TWIN SPACINGS, READY FOR PRECISION & HIGH SPEED PLANTING.



**H-I VERTICAL FOLD BAR**  
FEATURING THE LASERPRO1 ROW UNIT  
PATENT PENDING

Model Pictured: VF4030  
W/ LASERPRO1 ROW UNITS



OPTIONAL LIFT ASSIST WHEELS



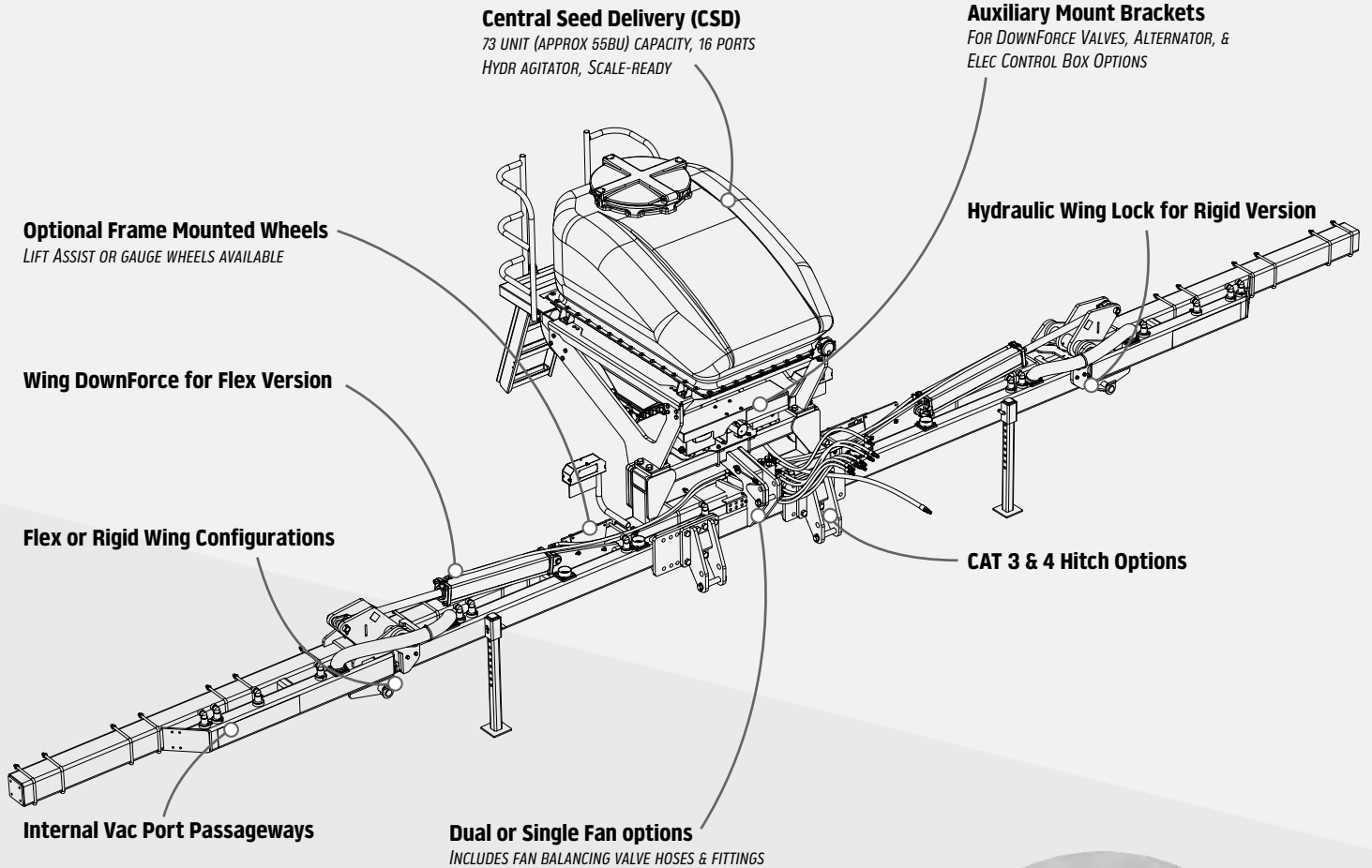
CENTER MOUNTED SEED DELIVERY



FLEXIBLE WING LIFT CYLINDER

<b>VERTICALFOLD MODEL</b>	<b># of Rows</b>	<b>ROW SPACING</b>	<b>FOLD // FLEX</b>	<b>OPEN WIDTH // FOLDED WIDTH</b>	<b>OPEN HEIGHT w/ CSD // TRANSPORT HEIGHT</b>	<b>TIRE POSITION</b>	<b>BASE WEIGHT<sup>2</sup></b>	<b>Seed Storage</b>
<b>VFN3020</b>	18	20"	4 - 10 - 4	29' 5" // 17' 0"	10' 5" // 9' 4"	FR	5,050	CSD
<b>VFN3030</b>	12	30"	3 - 6 - 3	29' 5" // 17' 6"	10' 5" // 9' 4"	FR / BR	4,900	CSD
<b>VFN3036</b>	10	36"	2 - 6 - 2	29' 5" // 16' 6"	10' 5" // 9' 4"	FR / BR	5,000	CSD
<b>VFN3038</b>	10	38"	3 - 4 - 3	29' 5" // 18' 7"	10' 5" // 9' 4"	FR / BR	4,950	CSD
<b>VF4020</b>	24	20"	6 - 12 - 6	39' 2" // 22' 10"	10' 5" // 11' 2"	FR	5,850	CSD
<b>VF4030</b>	16	30"	4 - 8 - 4	38' 10" // 22' 2"	10' 5" // 11' 1"	FR / BR	5,350	CSD
<b>VF4036</b>	12	36"	3 - 6 - 3	38' 10" // 23' 3"	10' 5" // 11' 1"	FR / BR	5,350	CSD
<b>VF4038</b>	12	38"	3 - 6 - 3	38' 10" // 22' 5"	10' 5" // 11' 1"	FR / BR	5,250	CSD

1. TwinRow model available. | 2. Weights include Standard frame, stepbacks, & base features only. Weights of Row units, CSD, lift assist wheels, & other options not included.



*Robust build to handle intensive planting while maintaining optimum weight.  
Streamlined design for an efficient precision ag experience.*

